

MONITORED Rack PDU Specification

CUSTOMER SIGNATURE _____

DATE APPROVED _____

Customer agrees to this specific PowerLok configuration

PowerLok Configuration

Model: PL7102D

**RACK PDU, MONITORED, 72", 20A
120/208V 3PH (5.7 kW), 36-C13 &
6-C19, 10FT WHIP, NEMA L21-20P**

POWER	20A 120/208V 3PH 5.7 kW
UNIT LENGTH	72 IN
PLUG TYPE	NEMA L21-20P
WHIP LENGTH	10 FT
RECEPTACLES	36-C13 & 6-C19
CORDLOK	NONE
MONITORING	DISPLAY & ETHERNET COMM
120V TECH POWER	NONE
COLOR	CARBON

PowerLok Universal Specification

Quote:

Customer:

Order No.:

Order Qty.:

Monitoring Accuracy	Voltage: +/- 0.5% at nominal. Current: +/-1% of measurement from 500mA to 30A. Within 0.5% from 1A to 30A typical.
Total Unit & Group Monitoring	Aggregate (kWh, W, VA) plus Phase: A, B, C Line Currents, plus Group: 1, 2, 3 Monitoring (kWh, W, VA, PF, V, A)
Network Interface	Ethernet RJ-45
Transport/Internet	TCP/IP v4
Network Applications	HTTP Webserver SNMP-V1/V2c Network Management DHCP for dynamic IP address request from a server on the network. Remote firmware upgrade using FTP.
Touch & Rotatable Digital Display	Touch to rotate / touch to view data screens
Internal RMS Voltage Sensor	Yes
Internal RMS Current Sensor	Yes
Over Current Protection	20A magnetic breakers on 30A models.
Power Whip	20A: 12AWG 3 or 5 wire & 30A: 10AWG 3 or 5 wire.
Operating Temperature	Full nameplate continuous operation: 0-50C (32-122F)
Heavy Steel - Powder Coat Color	See PowerLok Configuration Table for Color
Rack PDU Type	Vertical Rack-mount
Toolless Mounting: Center Spacing	61.25in (12.25 spacing standard). 59.05 mounting option available on Rack PDU.
Assembled in the USA	Yes - with local and off-shore sourced components
Product Warranty	3-year from date of shipment, repair or replace.
Certification/Agency Approvals	TUV Certified to UL/CSA 60950-1 with NOM Addendum for Mexico, FCC Part 15 Class A Conformance, RoHS Compliant
Operating Environment	0-50C (32-122F), 5-95% Relative Humidity, 0-10,000ft (0-3000 meters) Elevation.
Storage Environment	-25-65C (32-122F), 5-95% Relative Humidity, 0-10,000ft (0-3000 meters) Elevation.
Chassis Dimensions (LxWxD)	72"L x 2.18"W x 2.0"D
Package Dimensions (LxWxD)	84.0"L x 22.0"W x 5.0"D (4-Pack) 84.0"L x 11.0"W x 5.0"D (2-Pack) 84.0"L x 7.0"W x 5.0"D (1-Pack)
Rack PDU Weight	15.0 lbs. (Actual weight varies slightly based on configuration)
Packaged Weight	17.0 lbs (1 unit - actual weight varies slightly based on configuration)

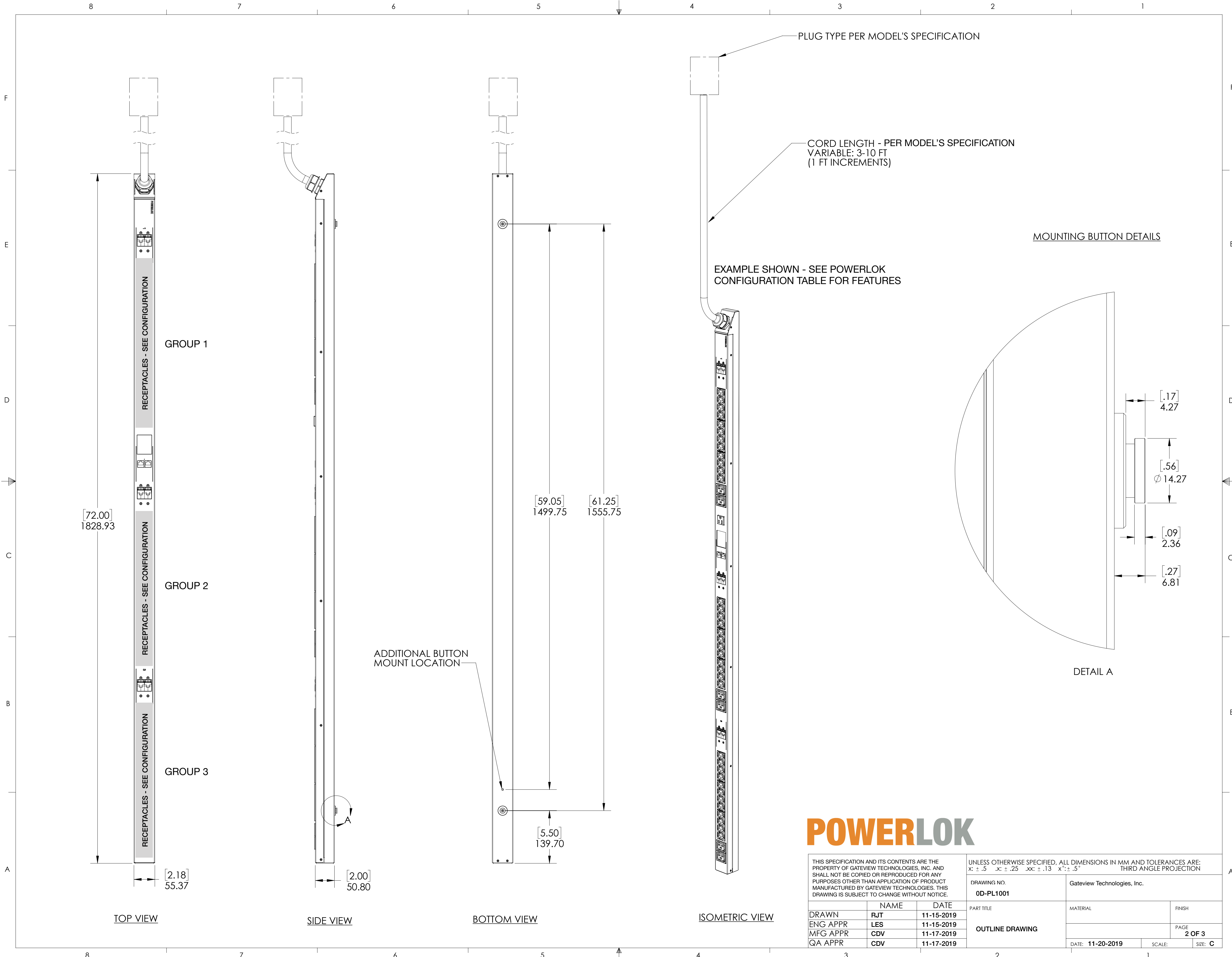
PowerLok Examples

RED

CARBON

WHITE

BLUE



PLUG TYPE PER MODEL'S SPECIFICATION

CORD LENGTH - PER MODEL'S SPECIFICATION
VARIABLE: 3-10 FT
(1 FT INCREMENTS)

EXAMPLE SHOWN - SEE POWERLOK
CONFIGURATION TABLE FOR FEATURES

MOUNTING BUTTON DETAILS

DETAIL A

[72.00]
1828.93

GROUP 1

GROUP 2

GROUP 3

[2.18]
55.37

[2.00]
50.80

[59.05]
1499.75

[61.25]
1555.75

[5.50]
139.70

[.17]
4.27

[.56]
Ø 14.27

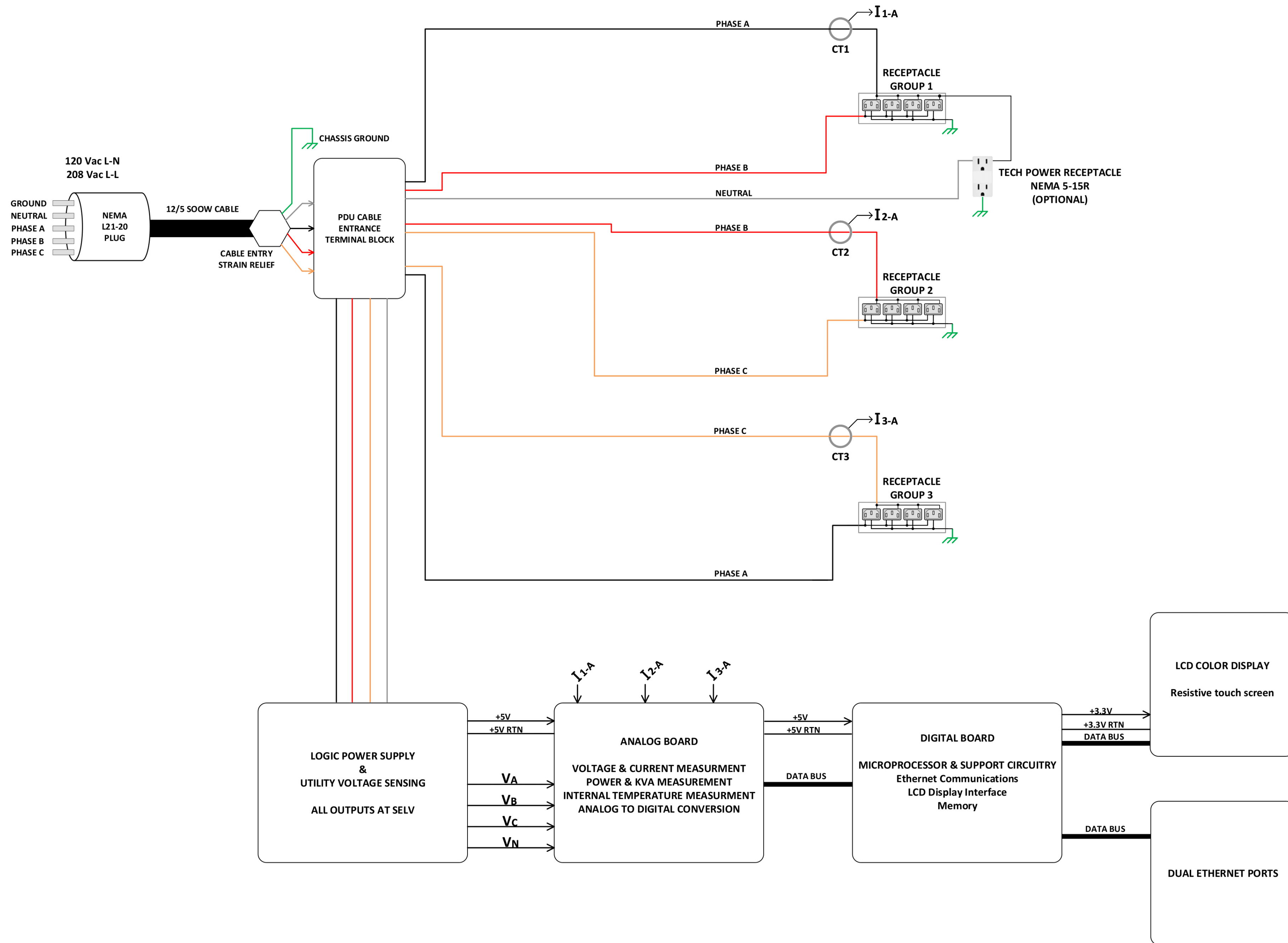
[.09]
2.36

[.27]
6.81

ADDITIONAL BUTTON
MOUNT LOCATION

POWERLOK

THIS SPECIFICATION AND ITS CONTENTS ARE THE PROPERTY OF GATEVIEW TECHNOLOGIES, INC. AND SHALL NOT BE COPIED OR REPRODUCED FOR ANY PURPOSES OTHER THAN APPLICATION OF PRODUCT MANUFACTURED BY GATEVIEW TECHNOLOGIES. THIS DRAWING IS SUBJECT TO CHANGE WITHOUT NOTICE.			UNLESS OTHERWISE SPECIFIED, ALL DIMENSIONS IN MM AND TOLERANCES ARE: x: ± .5 .x: ± .25 .xx: ± .13 x': ± .5"		
DRAWING NO. 0D-PL1001		Gateview Technologies, Inc.			
DRAWN RJT	NAME	DATE	PART TITLE	MATERIAL	FINISH
ENG APPR LES		11-15-2019	OUTLINE DRAWING		PAGE 2 OF 3
MFG APPR CDV		11-17-2019			SCALE:
QA APPR CDV		11-17-2019			SIZE: C
DATE: 11-20-2019					



- NOTES:**
- 1) Input cable: 5 wire, 12AWG, SOOW with L21-20 plug
 - 2) Internal wiring to group outlets is 12AWG
 - 3) SELV: Safety Extra Low Voltage

20A THREE PHASE 120/208 Vac PDU WITH MONITORING INTERNAL WIRING CONFIGURATION

POWERLOK

THIS SPECIFICATION AND ITS CONTENTS ARE THE PROPERTY OF GATEVIEW TECHNOLOGIES, INC. AND SHALL NOT BE COPIED OR REPRODUCED FOR ANY PURPOSES OTHER THAN APPLICATION OF PRODUCT MANUFACTURED BY GATEVIEW TECHNOLOGIES. THIS DRAWING IS SUBJECT TO CHANGE WITHOUT NOTICE.		UNLESS OTHERWISE SPECIFIED, ALL DIMENSIONS IN MM AND TOLERANCES ARE: x: ± .5 .x: ± .25 .xx: ± .13 x": ± .5 THIRD ANGLE PROJECTION	
DRAWING NO. WC-PL1002		Gateview Technologies, Inc. INTERNAL WIRING CONFIGURATION	
NAME	DATE	PART TITLE	MATERIAL
DRAWN: LES	4-20-2019	20A THREE PHASE 120/208 Vac PDU WITH MONITORING	FINISH
ENG APPR: MHG	4-20-2019		PAGE 3 OF 3
MFG APPR: CDV	4-21-2019		
QA APPR: CDV	4-21-2019		
DATE: 4-20-2019		SCALE:	SIZE: C