

## MONITORED Rack PDU Specification

CUSTOMER SIGNATURE \_\_\_\_\_

DATE APPROVED \_\_\_\_\_

Customer agrees to this specific PowerLok configuration

### PowerLok Configuration

Model: PL7104D

**RACK PDU, MONITORED, 72", 20A  
120/208V 3PH (5.7 kW), 36-C13 &  
6-C19, (2)5-15R, 10FT WHIP, NEMA  
L21-20P, CARBON**

|                    |                            |
|--------------------|----------------------------|
| POWER              | 20A 120/208V 3PH<br>5.7 kW |
| UNIT LENGTH        | 72 IN                      |
| PLUG TYPE          | NEMA L21-20P               |
| WHIP LENGTH        | 10 FT                      |
| RECEPTACLES        | 36-C13 & 6-C19             |
| CORDLOK            | NONE                       |
| MONITORING         | DISPLAY &<br>ETHERNET COMM |
| 120V<br>TECH POWER | (2)5-15R                   |
| COLOR              | CARBON                     |

### PowerLok Universal Specification

Quote:

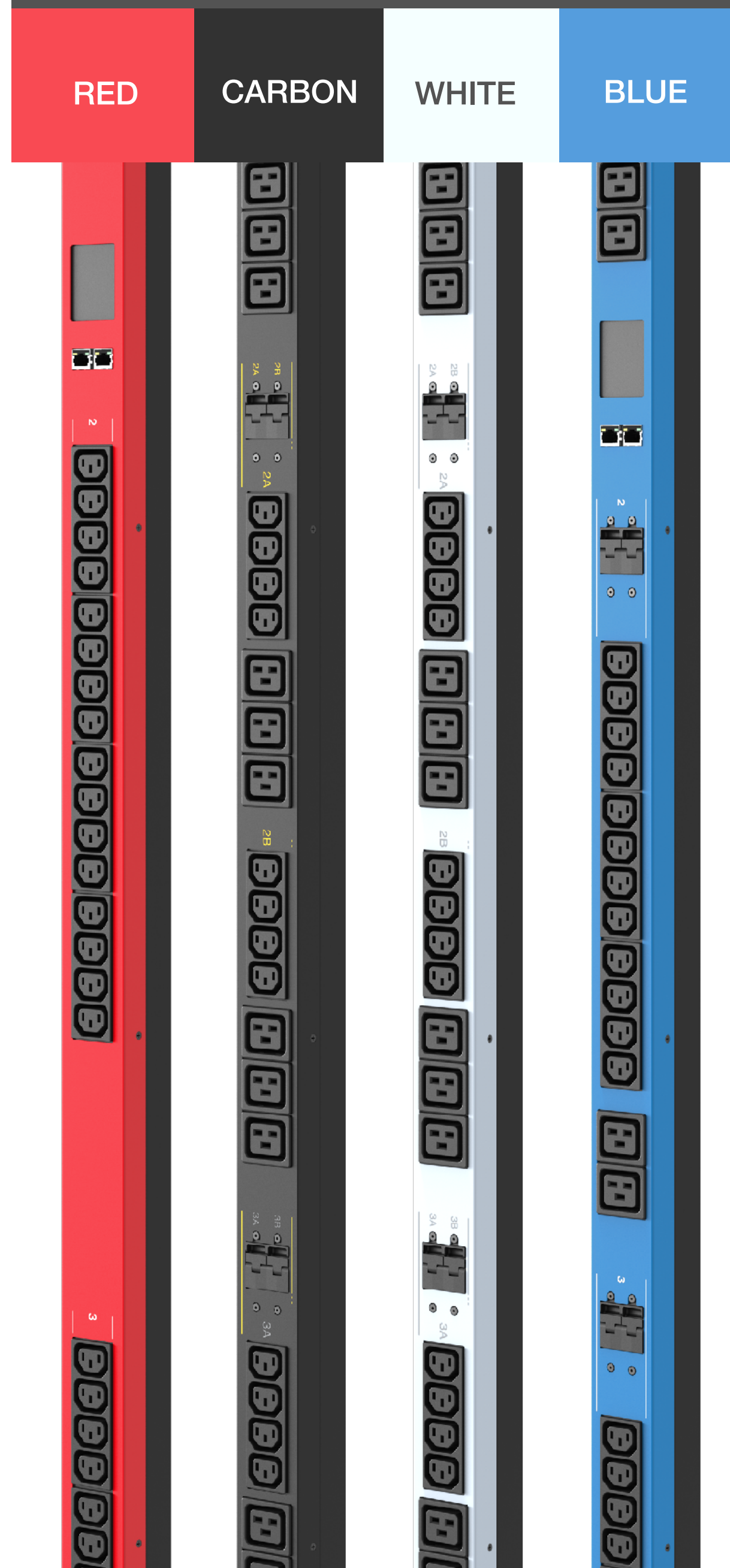
Customer:

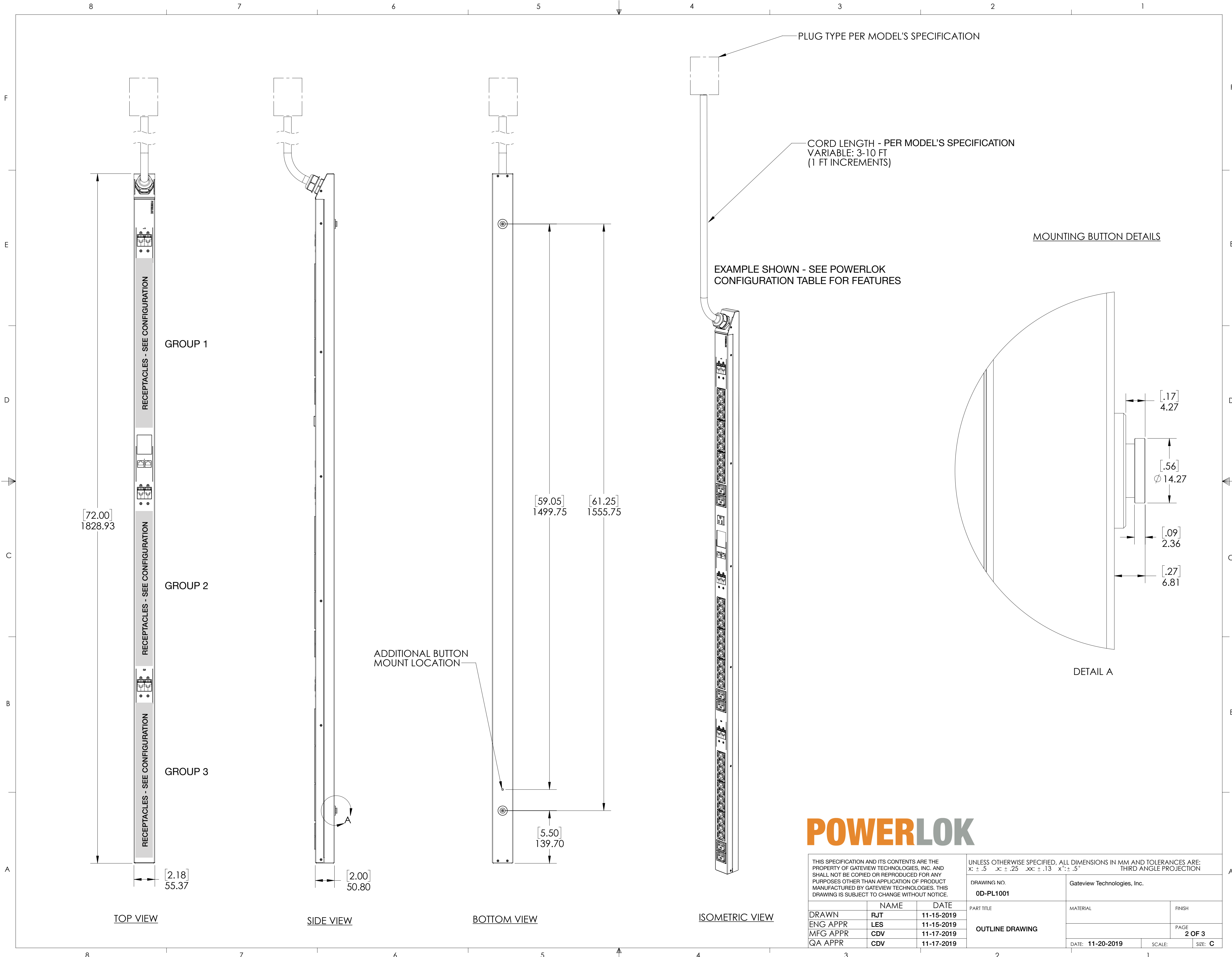
Order No.:

Order Qty.:

|                                   |   |
|-----------------------------------|---|
| Monitoring Accuracy               | Voltage: +/- 0.5% at nominal. Current: +/-1% of measurement from 500mA to 30A. Within 0.5% from 1A to 30A typical.  |
| Total Unit & Group Monitoring     | Aggregate (kWh, W, VA) plus Phase: A, B, C Line Currents, plus Group: 1, 2, 3 Monitoring (kWh, W, VA, PF, V, A)   |
| Network Interface                 | Ethernet RJ-45  |
| Transport/Internet                | TCP/IP v4   |
| Network Applications              | HTTP Webserver<br>SNMP-V1/V2c Network Management<br>DHCP for dynamic IP address request from a server on the network.<br>Remote firmware upgrade using FTP. |
| Touch & Rotatable Digital Display | Touch to rotate / touch to view data screens  |
| Internal RMS Voltage Sensor       | Yes   |
| Internal RMS Current Sensor       | Yes   |
| Over Current Protection           | 20A magnetic breakers on 30A models.  |
| Power Whip                        | 20A: 12AWG 3 or 5 wire & 30A: 10AWG 3 or 5 wire.  |
| Operating Temperature             | Full nameplate continuous operation: 0-50C (32-122F)  |
| Heavy Steel - Powder Coat Color   | See PowerLok Configuration Table for Color  |
| Rack PDU Type                     | Vertical Rack-mount   |
| Toolless Mounting: Center Spacing | 61.25in (12.25 spacing standard). 59.05 mounting option available on Rack PDU.  |
| Assembled in the USA              | Yes - with local and off-shore sourced components   |
| Product Warranty                  | 3-year from date of shipment, repair or replace.  |
| Certification/Agency Approvals    | TUV Certified to UL/CSA 60950-1 with NOM Addendum for Mexico, FCC Part 15 Class A Conformance, RoHS Compliant   |
| Operating Environment             | 0-50C (32-122F), 5-95% Relative Humidity, 0-10,000ft (0-3000 meters) Elevation.   |
| Storage Environment               | -25-65C (32-122F), 5-95% Relative Humidity, 0-10,000ft (0-3000 meters) Elevation.   |
| Chassis Dimensions (LxWxD)        | 72"L x 2.18"W x 2.0"D   |
| Package Dimensions (LxWxD)        | 84.0"L x 22.0"W x 5.0"D (4-Pack)<br>84.0"L x 11.0"W x 5.0"D (2-Pack)<br>84.0"L x 7.0"W x 5.0"D (1-Pack)   |
| Rack PDU Weight                   | 15.0 lbs. (Actual weight varies slightly based on configuration)  |
| Packaged Weight                   | 17.0 lbs (1 unit - actual weight varies slightly based on configuration)  |

### PowerLok Examples





PLUG TYPE PER MODEL'S SPECIFICATION

CORD LENGTH - PER MODEL'S SPECIFICATION  
VARIABLE: 3-10 FT  
(1 FT INCREMENTS)

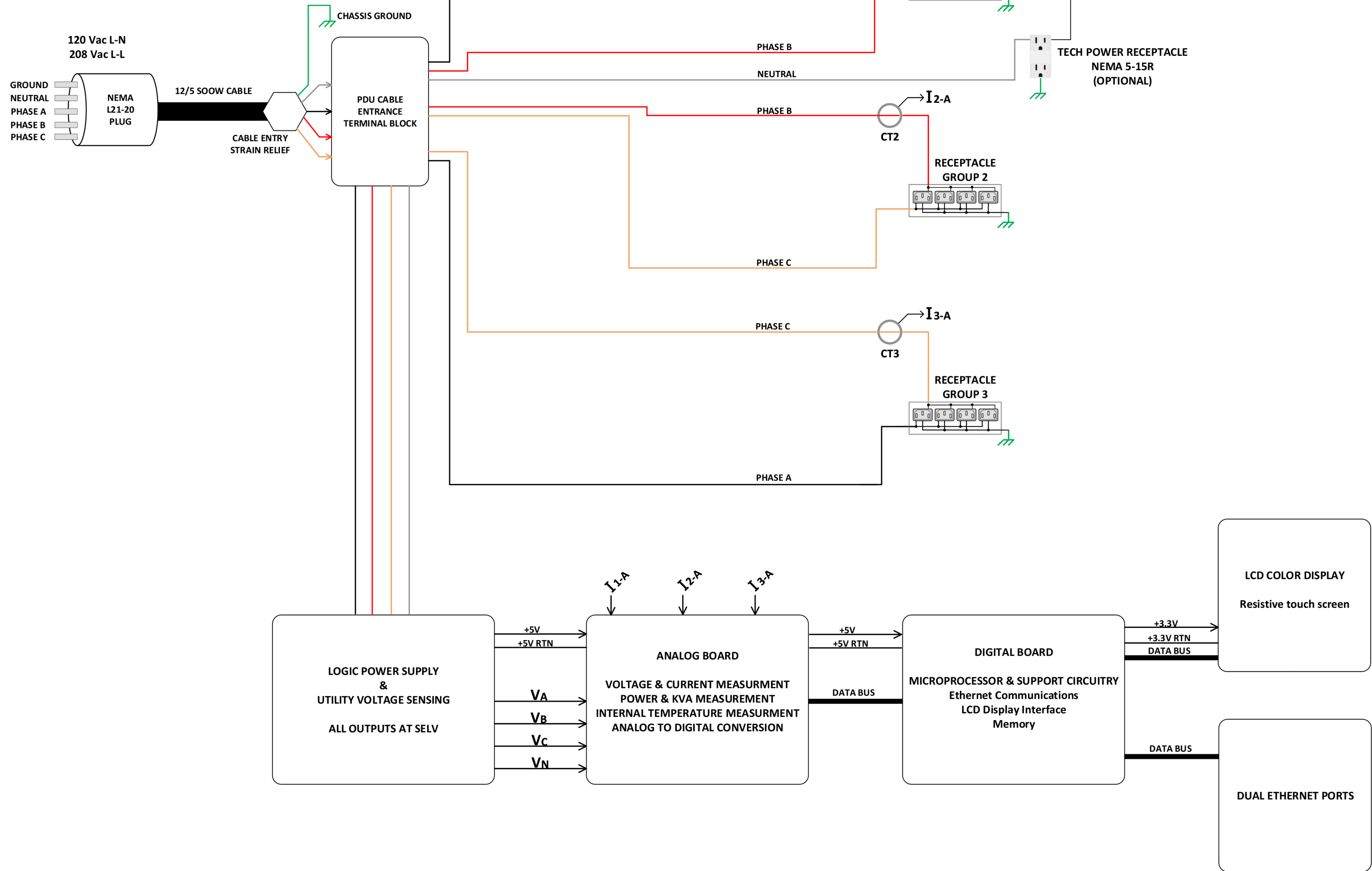
EXAMPLE SHOWN - SEE POWERLOK  
CONFIGURATION TABLE FOR FEATURES

MOUNTING BUTTON DETAILS

DETAIL A

# POWERLOK

|   |             |                             |   |                         |                       |
|---|-------------|-----------------------------|---|-------------------------|-----------------------|
| THIS SPECIFICATION AND ITS CONTENTS ARE THE PROPERTY OF GATEVIEW TECHNOLOGIES, INC. AND SHALL NOT BE COPIED OR REPRODUCED FOR ANY PURPOSES OTHER THAN APPLICATION OF PRODUCT MANUFACTURED BY GATEVIEW TECHNOLOGIES. THIS DRAWING IS SUBJECT TO CHANGE WITHOUT NOTICE. |             |                             | UNLESS OTHERWISE SPECIFIED, ALL DIMENSIONS IN MM AND TOLERANCES ARE:<br>x: ± .5    .x: ± .25    .xx: ± .13    x': ± .5" |                         |                       |
| DRAWING NO.<br><b>0D-PL1001</b>   |             | Gateview Technologies, Inc. |   |                         |                       |
| DRAWN<br>RJT  | NAME<br>RJT | DATE<br>11-15-2019          | PART TITLE<br><b>OUTLINE DRAWING</b>  | MATERIAL                | FINISH                |
| ENG APPR<br>LES   | NAME<br>LES | DATE<br>11-15-2019          |   |                         | PAGE<br><b>2 OF 3</b> |
| MFG APPR<br>CDV   | NAME<br>CDV | DATE<br>11-17-2019          |   |                         | SCALE                 |
| QA APPR<br>CDV  | NAME<br>CDV | DATE<br>11-17-2019          |   | DATE: <b>11-20-2019</b> | SIZE: <b>C</b>        |



- NOTES:**
- 1) Input cable: 5 wire, 12AWG, SOOW with L21-20 plug
  - 2) Internal wiring to group outlets is 12AWG
  - 3) SELV: Safety Extra Low Voltage

**20A THREE PHASE 120/208 Vac PDU WITH MONITORING  
INTERNAL WIRING CONFIGURATION**

**POWERLOK**

|   |                          |  |  |                       |  |
|---|--------------------------|--|--|-----------------------|--|
| THIS SPECIFICATION AND ITS CONTENTS ARE THE PROPERTY OF GATEVIEW TECHNOLOGIES, INC. AND SHALL NOT BE COPIED OR REPRODUCED FOR ANY PURPOSES OTHER THAN APPLICATION OF PRODUCT MANUFACTURED BY GATEVIEW TECHNOLOGIES. THIS DRAWING IS SUBJECT TO CHANGE WITHOUT NOTICE. |                          |  | UNLESS OTHERWISE SPECIFIED, ALL DIMENSIONS IN MM AND TOLERANCES ARE:<br>x: ± .5    .x: ± .25    .xx: ± .13    x": ± .5<br>THIRD ANGLE PROJECTION |                       |  |
| DRAWING NO.<br><b>WC-PL1002</b>   |                          | Gateview Technologies, Inc.<br><b>INTERNAL WIRING CONFIGURATION</b>      |  |                       |  |
| DRAWN<br><b>LES</b>   | DATE<br><b>4-20-2019</b> | PART TITLE<br><b>20A THREE PHASE 120/208 Vac<br/>PDU WITH MONITORING</b> | MATERIAL   | FINISH                |  |
| ENG APPR<br><b>MHG</b>  | DATE<br><b>4-20-2019</b> |  |  | PAGE<br><b>3 OF 3</b> |  |
| MFG APPR<br><b>CDV</b>  | DATE<br><b>4-21-2019</b> |  |  |                       |  |
| QA APPR<br><b>CDV</b>   | DATE<br><b>4-21-2019</b> |  |  |                       |  |
|   | DATE: <b>4-20-2019</b>   | SCALE:   | SIZE: <b>C</b>   |                       |  |