

MONITORED Rack PDU Specification

CUSTOMER SIGNATURE _____

DATE APPROVED _____

Customer agrees to this specific PowerLok configuration

PowerLok Configuration

Model: PL7152

RACK PDU, BASIC, 72", 20A 240/415V
3PH (11.5 kW), 36-C13 & 6-C19,
10FT WHIP, IEC 309 20A, CARBON

POWER	20A 240/415V 3PH 11.5 kW
UNIT LENGTH	72 IN
PLUG TYPE	IEC 309 20A
WHIP LENGTH	10 FT
RECEPTACLES	36-C13 & 6-C19
CORDLOK	NONE
MONITORING	NONE
120V TECH POWER	NONE
COLOR	CARBON

PowerLok Universal Specification

Quote:

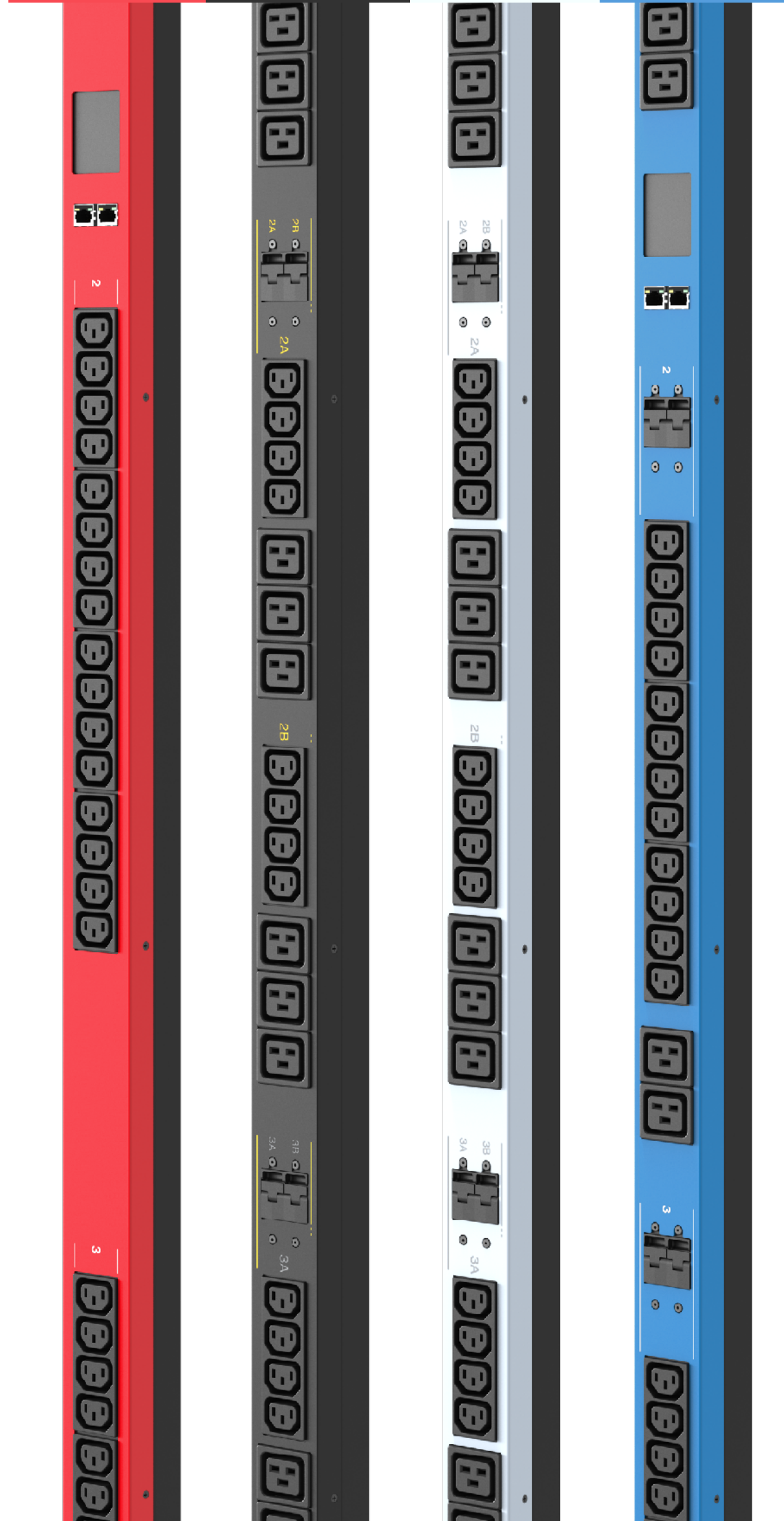
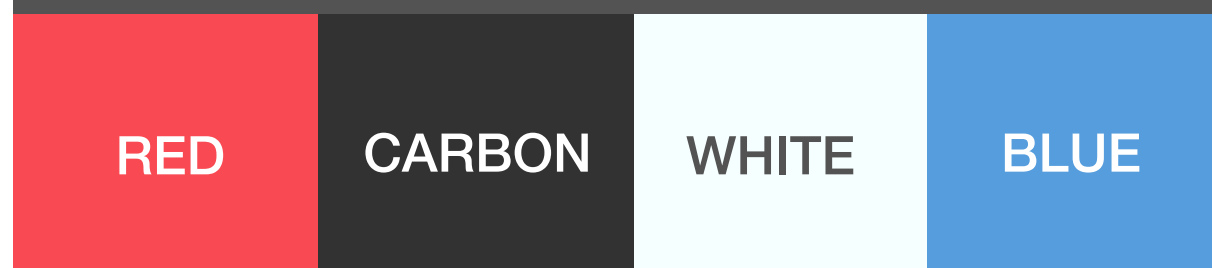
Customer:

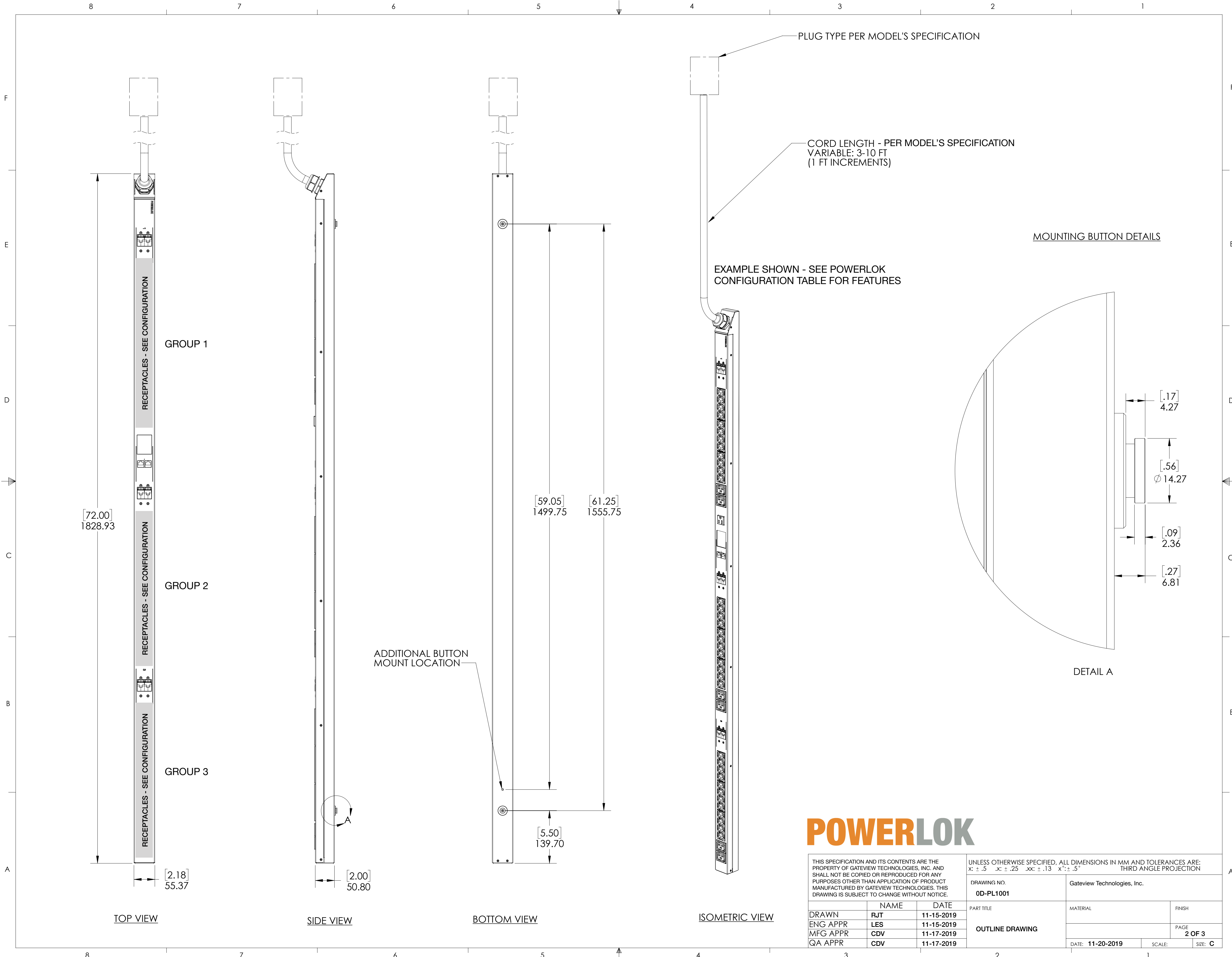
Order No.:

Order Qty.:

Over Current Protection	20A magnetic breakers on 30A models.
Power Whip	20A: 12AWG 3 or 5 wire & 30A: 10AWG 3 or 5 wire.
Operating Temperature	Full nameplate continuous operation: 0-50C (32-122F)
Heavy Steel - Powder Coat Color	See PowerLok Configuration Table for Color
Rack PDU Type	Vertical Rack-mount
Toolless Mounting: Center Spacing	61.25in (12.25 spacing standard). 59.05 mounting option available on Rack PDU.
Assembled in the USA	Yes - with local and off-shore sourced components
Product Warranty	3-year from date of shipment, repair or replace.
Certification/Agency Approvals	TUV Certified to UL/CSA 60950-1 with NOM Addendum for Mexico, FCC Part 15 Class A Conformance, RoHS Compliant
Operating Environment	0-50C (32-122F), 5-95% Relative Humidity, 0-10,000ft (0-3000 meters) Elevation.
Storage Environment	-25-65C (32-122F), 5-95% Relative Humidity, 0-10,000ft (0-3000 meters) Elevation.
Chassis Dimensions (LxWxD)	72"L x 2.18"W x 2.0"D
Package Dimensions (LxWxD)	84.0"L x 22.0"W x 5.0"D (4-Pack) 84.0"L x 11.0"W x 5.0"D (2-Pack) 84.0"L x 7.0"W x 5.0"D (1-Pack)
Rack PDU Weight	15.0 lbs. (Actual weight varies slightly based on configuration)
Packaged Weight	17.0 lbs (1 unit - actual weight varies slightly based on configuration)

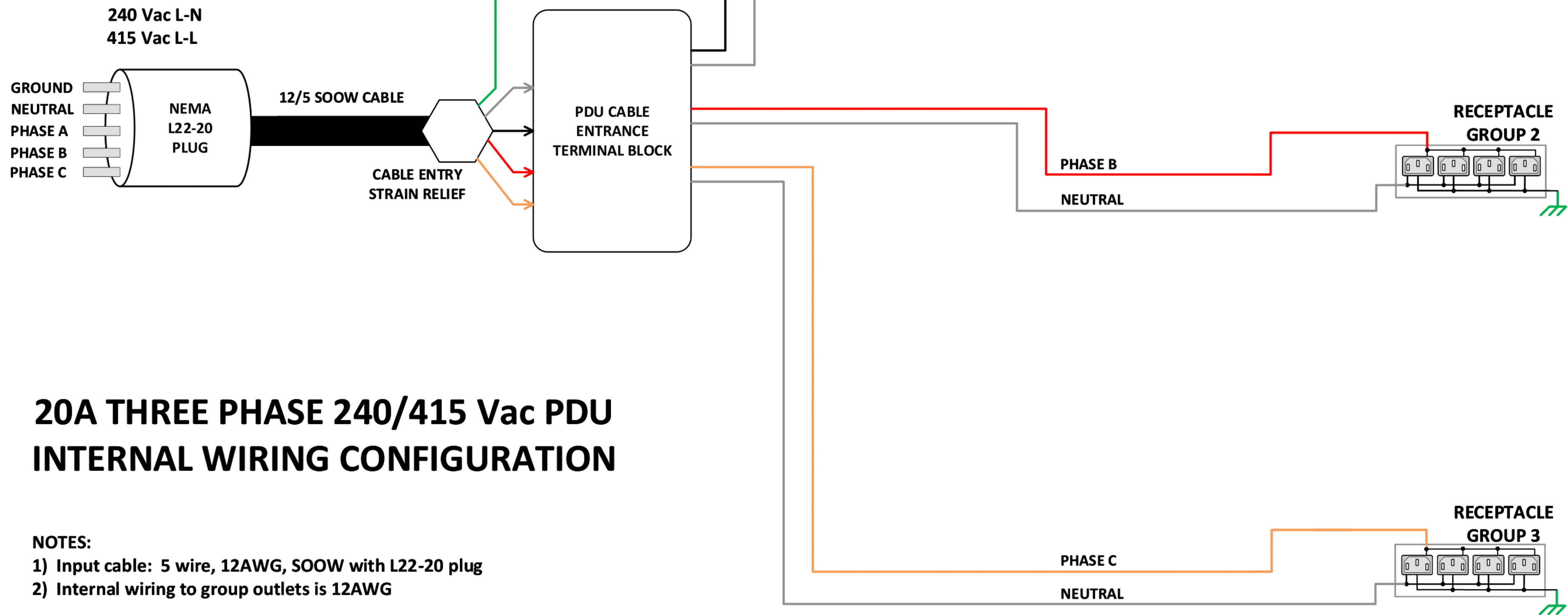
PowerLok Examples





POWERLOK

THIS SPECIFICATION AND ITS CONTENTS ARE THE PROPERTY OF GATEVIEW TECHNOLOGIES, INC. AND SHALL NOT BE COPIED OR REPRODUCED FOR ANY PURPOSES OTHER THAN APPLICATION OF PRODUCT MANUFACTURED BY GATEVIEW TECHNOLOGIES. THIS DRAWING IS SUBJECT TO CHANGE WITHOUT NOTICE.			UNLESS OTHERWISE SPECIFIED, ALL DIMENSIONS IN MM AND TOLERANCES ARE: x: ± .5 .x: ± .25 .xx: ± .13 x': ± .5"		
DRAWING NO. 0D-PL1001		Gateview Technologies, Inc.			
DRAWN RJT	NAME RJT	DATE 11-15-2019	PART TITLE OUTLINE DRAWING	MATERIAL	FINISH
ENG APPR LES	NAME LES	DATE 11-15-2019			PAGE 2 OF 3
MFG APPR CDV	NAME CDV	DATE 11-17-2019			SCALE
QA APPR CDV	NAME CDV	DATE 11-17-2019		DATE: 11-20-2019	SIZE: C



20A THREE PHASE 240/415 Vac PDU INTERNAL WIRING CONFIGURATION

- NOTES:**
- 1) Input cable: 5 wire, 12AWG, SOOW with L22-20 plug
 - 2) Internal wiring to group outlets is 12AWG

POWERLOK

THIS SPECIFICATION AND ITS CONTENTS ARE THE PROPERTY OF GATEVIEW TECHNOLOGIES, INC. AND SHALL NOT BE COPIED OR REPRODUCED FOR ANY PURPOSES OTHER THAN APPLICATION OF PRODUCT MANUFACTURED BY GATEVIEW TECHNOLOGIES. THIS DRAWING IS SUBJECT TO CHANGE WITHOUT NOTICE.			UNLESS OTHERWISE SPECIFIED, ALL DIMENSIONS IN MM AND TOLERANCES ARE: x: ± .5 .x: ± .25 .xx: ± .13 x": ± .5" THIRD ANGLE PROJECTION		
DRAWING NO. WC-PL1003		Gateview Technologies, Inc. INTERNAL WIRING CONFIGURATION			
NAME	DATE	PART TITLE	MATERIAL	FINISH	
DRAWN: LES	4-20-2019	20A THREE PHASE 240/415 Vac PDU		PAGE 3 OF 3	
ENG APPR: MHG	4-20-2019				
MFG APPR: CDV	4-21-2019				
QA APPR: CDV	4-21-2019				
DATE: 4-20-2019			SCALE:	SIZE: C	