

## MONITORED Rack PDU Specification

CUSTOMER SIGNATURE \_\_\_\_\_

DATE APPROVED \_\_\_\_\_

Customer agrees to this specific PowerLok configuration

### PowerLok Configuration

Model: PL7202D

**RACK PDU, MONITORED, 72", 30A  
120/208V 3PH (8.6 kW), 36-C13 &  
6-C19, 10FT WHIP, NEMA L21-30P,  
CARBON**

POWER	30A 120/208V 3PH 8.6 kW
UNIT LENGTH	72 IN
PLUG TYPE	NEMA L21-30P
WHIP LENGTH	10 FT
RECEPTACLES	36-C13 & 6-C19
CORDLOK	NONE
MONITORING	DISPLAY & ETHERNET COMM
120V TECH POWER	NONE
COLOR	CARBON

### PowerLok Universal Specification

Quote:

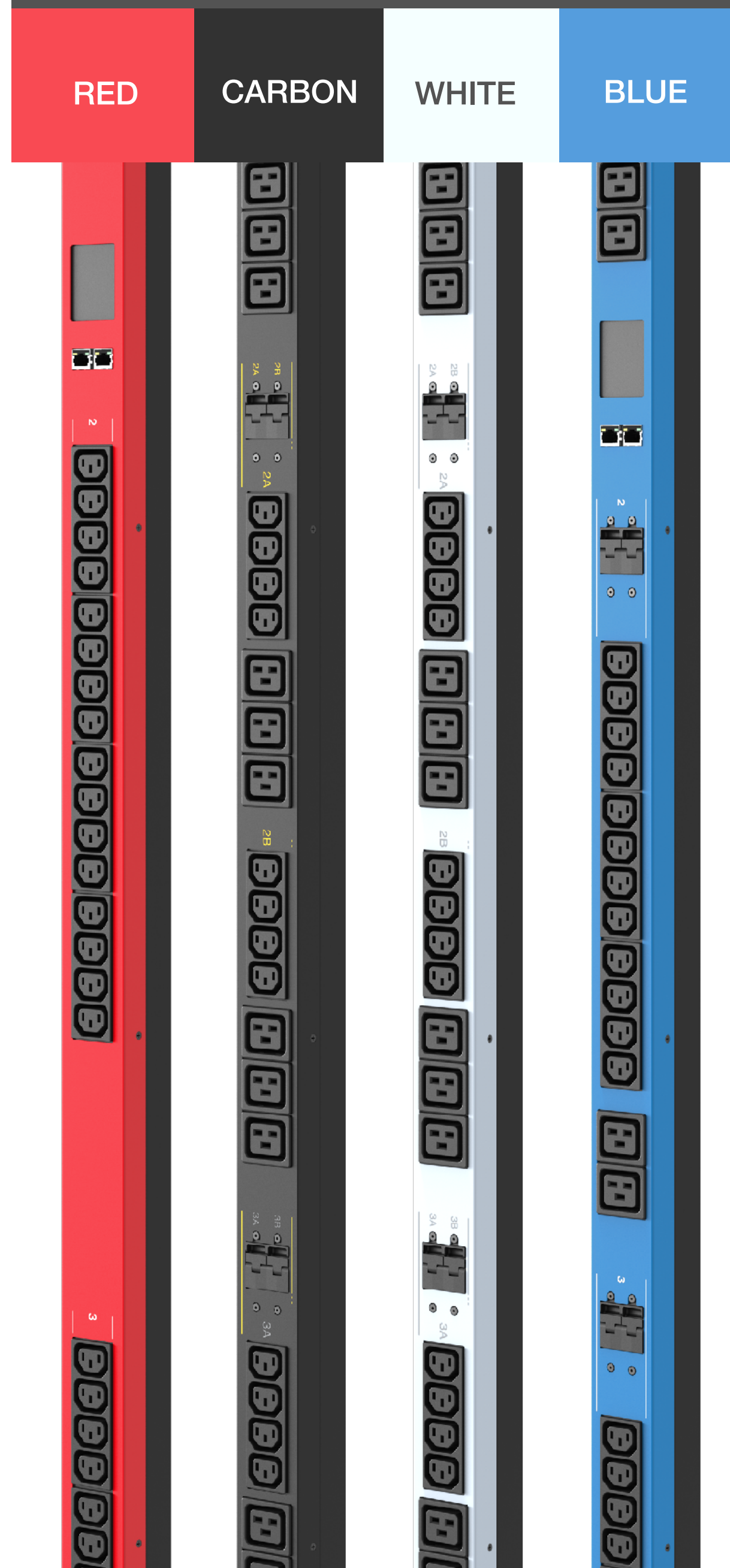
Customer:

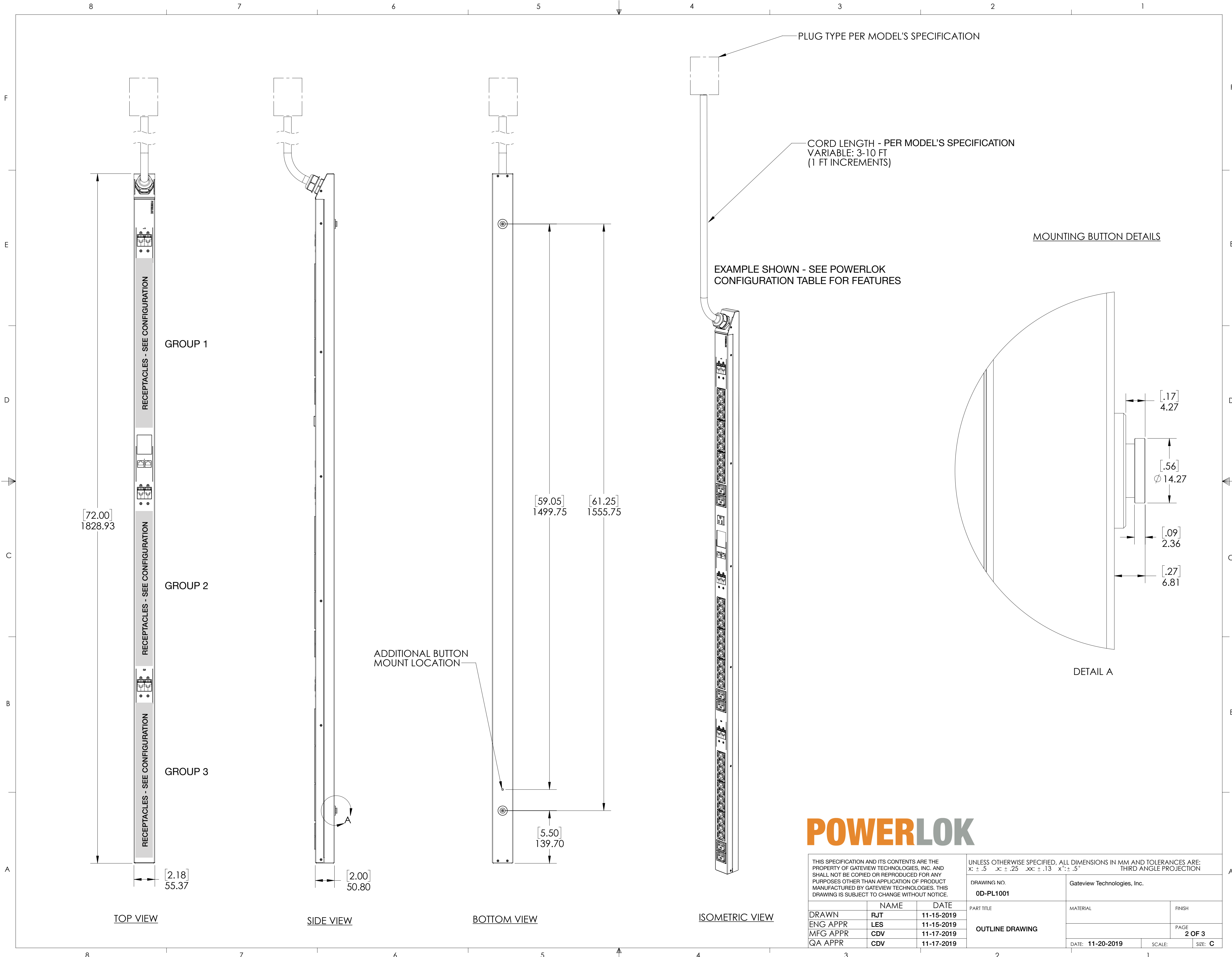
Order No.:

Order Qty.:

Monitoring Accuracy	Voltage: +/- 0.5% at nominal. Current: +/-1% of measurement from 500mA to 30A. Within 0.5% from 1A to 30A typical.
Total Unit & Group Monitoring	Aggregate (kWh, W, VA) plus Phase: A, B, C Line Currents, plus Group: 1, 2, 3 Monitoring (kWh, W, VA, PF, V, A)
Network Interface	Ethernet RJ-45
Transport/Internet	TCP/IP v4
Network Applications	HTTP Webserver SNMP-V1/V2c Network Management DHCP for dynamic IP address request from a server on the network. Remote firmware upgrade using FTP.
Touch & Rotatable Digital Display	Touch to rotate / touch to view data screens
Internal RMS Voltage Sensor	Yes
Internal RMS Current Sensor	Yes
Over Current Protection	20A magnetic breakers on 30A models.
Power Whip	20A: 12AWG 3 or 5 wire & 30A: 10AWG 3 or 5 wire.
Operating Temperature	Full nameplate continuous operation: 0-50C (32-122F)
Heavy Steel - Powder Coat Color	See PowerLok Configuration Table for Color
Rack PDU Type	Vertical Rack-mount
Toolless Mounting: Center Spacing	61.25in (12.25 spacing standard). 59.05 mounting option available on Rack PDU.
Assembled in the USA	Yes - with local and off-shore sourced components
Product Warranty	3-year from date of shipment, repair or replace.
Certification/Agency Approvals	TUV Certified to UL/CSA 60950-1 with NOM Addendum for Mexico, FCC Part 15 Class A Conformance, RoHS Compliant
Operating Environment	0-50C (32-122F), 5-95% Relative Humidity, 0-10,000ft (0-3000 meters) Elevation.
Storage Environment	-25-65C (32-122F), 5-95% Relative Humidity, 0-10,000ft (0-3000 meters) Elevation.
Chassis Dimensions (LxWxD)	72"L x 2.18"W x 2.0"D
Package Dimensions (LxWxD)	84.0"L x 22.0"W x 5.0"D (4-Pack) 84.0"L x 11.0"W x 5.0"D (2-Pack) 84.0"L x 7.0"W x 5.0"D (1-Pack)
Rack PDU Weight	15.0 lbs. (Actual weight varies slightly based on configuration)
Packaged Weight	17.0 lbs (1 unit - actual weight varies slightly based on configuration)

### PowerLok Examples





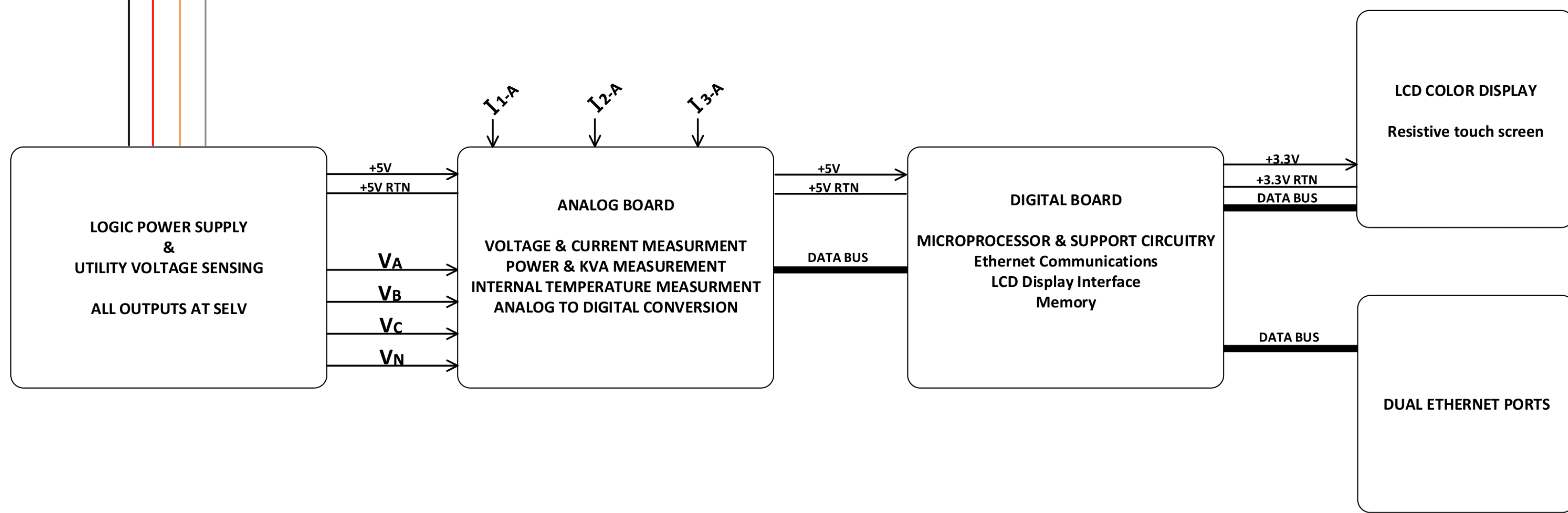
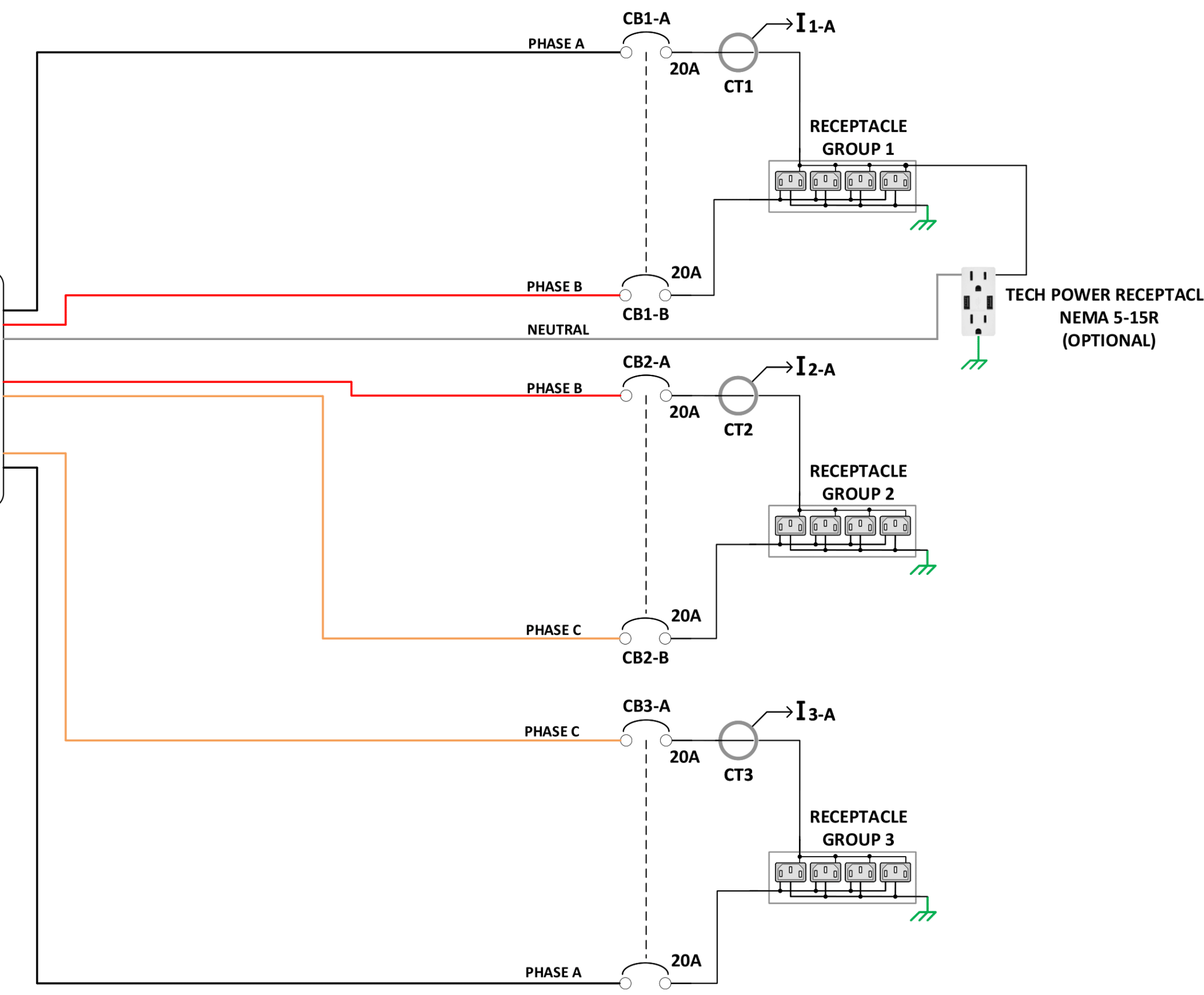
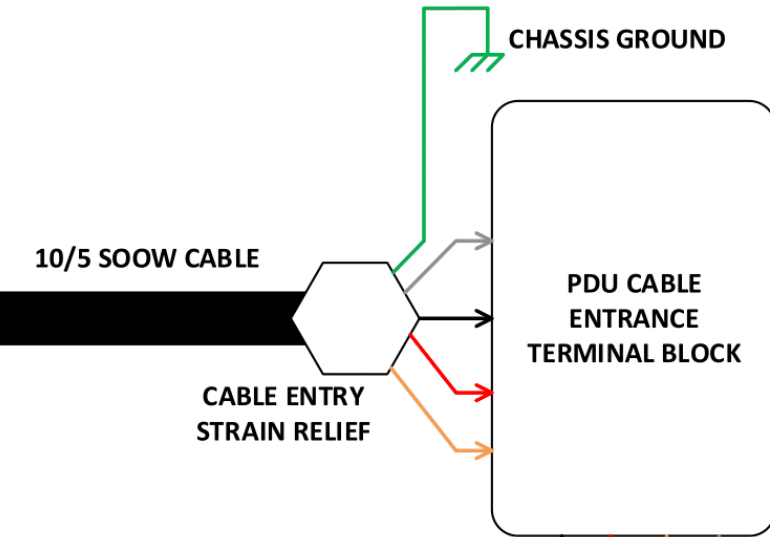
# POWERLOK

THIS SPECIFICATION AND ITS CONTENTS ARE THE PROPERTY OF GATEVIEW TECHNOLOGIES, INC. AND SHALL NOT BE COPIED OR REPRODUCED FOR ANY PURPOSES OTHER THAN APPLICATION OF PRODUCT MANUFACTURED BY GATEVIEW TECHNOLOGIES. THIS DRAWING IS SUBJECT TO CHANGE WITHOUT NOTICE.			UNLESS OTHERWISE SPECIFIED, ALL DIMENSIONS IN MM AND TOLERANCES ARE: x: ± .5    .x: ± .25    .xx: ± .13    x': ± .5"		
DRAWING NO. <b>0D-PL1001</b>			Gateview Technologies, Inc.		
DRAWN <b>RJT</b>		DATE <b>11-15-2019</b>	PART TITLE <b>OUTLINE DRAWING</b>		FINISH
ENG APPR <b>LES</b>		DATE <b>11-15-2019</b>	MATERIAL		PAGE <b>2 OF 3</b>
MFG APPR <b>CDV</b>		DATE <b>11-17-2019</b>	SCALE:		SIZE: <b>C</b>
QA APPR <b>CDV</b>		DATE <b>11-17-2019</b>	DATE: <b>11-20-2019</b>		

120 Vac L-N  
208 Vac L-L

GROUND  
NEUTRAL  
PHASE A  
PHASE B  
PHASE C

NEMA L21-30 PLUG



- NOTES:
- 1) Input cable: 5 wire, 10AWG, SOOW with L21-30 plug
  - 2) Internal wiring to group outlets is 12AWG
  - 3) SELV: Safety Extra Low Voltage
  - 4) Circuit breakers are double pole – common trip

### 30A THREE PHASE 120/208 Vac PDU WITH MONITORING INTERNAL WIRING CONFIGURATION

**POWERLOK**

THIS SPECIFICATION AND ITS CONTENTS ARE THE PROPERTY OF GATEVIEW TECHNOLOGIES, INC. AND SHALL NOT BE COPIED OR REPRODUCED FOR ANY PURPOSES OTHER THAN APPLICATION OF PRODUCT MANUFACTURED BY GATEVIEW TECHNOLOGIES. THIS DRAWING IS SUBJECT TO CHANGE WITHOUT NOTICE.		UNLESS OTHERWISE SPECIFIED, ALL DIMENSIONS IN MM AND TOLERANCES ARE: x: ± .5    .x: ± .25    .xx: ± .13    x": ± .5 THIRD ANGLE PROJECTION	
DRAWING NO. <b>WC-PL1006</b>		Gateview Technologies, Inc. <b>INTERNAL WIRING CONFIGURATION</b>	
NAME	DATE	PART TITLE	MATERIAL
LES	4-20-2019	30A THREE PHASE 120/208 Vac PDU WITH MONITORING	FINISH
MHG	4-20-2019		PAGE 3 OF 3
CDV	4-21-2019		
CDV	4-21-2019		
DATE: 4-20-2019	SCALE:	SIZE: C	