



Accurately monitor your environment in high-heat racks

ENVIROLOK allows you to daisy chain up to 4 sensors per PDU for a complete view of the rack environment. Each Sensors has our industry leading monitoring accuracy at +/- 0.2C and +/- 2% Rh.

No setup required. ENVIROLOK is automatically recognized on the PDU local display and in the software. Environmental data is included with the rPDU APIs or MIB data for SNMP integration to your DCIM of choice.



- ⦿ 0.2C temperature & 2% Rh accuracy
- ⦿ Only 1.4in x 1.4in x .81in size
- ⦿ Daisy chain 4 sensors per PDU
- ⦿ Low power over supplied cable
- ⦿ Magnetic or velcro attachment
- ⦿ Battery-less sensors

Integrated Web Software

EnviroLok Historical Graphs / Log

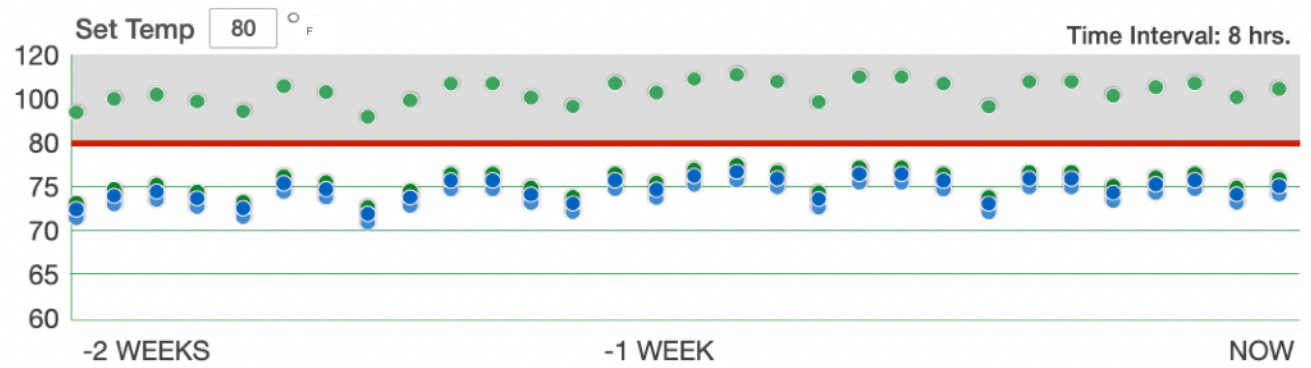
Levels over past two week period

TEMPERATURE

	A	B	C	D	ΔT
PEAK	78 F	71 F	79 F	109 F	31 F
NOW	72 F	62 F	72 F	107 F	35 F

- Fahrenheit
- Celsius

COMPARE

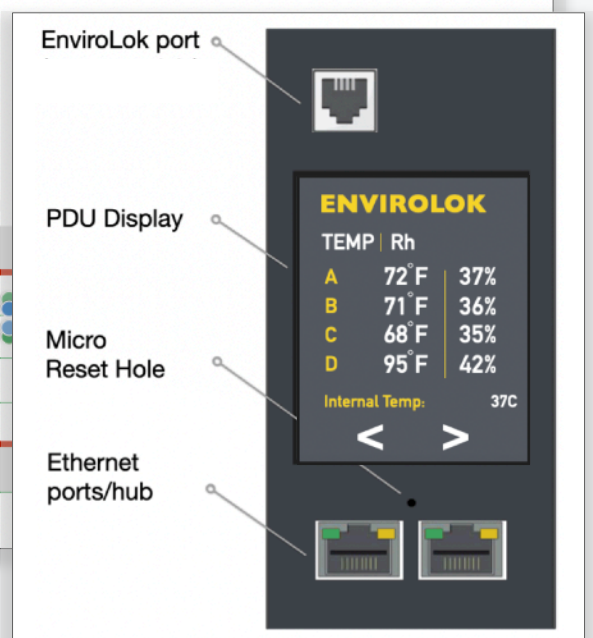


HUMIDITY (Rh)

	A	B	C	D
PEAK	65	64	65	71
NOW	62	61	62	70



rPDU Local Touchscreen



PowerLok Historical Graphs / Log

Levels over past two week period

		A	B	C	D	Log Scale
NOW		82 F	62 F	82 F	106 F	
TODAY	-00:00:10	82 F	62 F	82 F	106 F	10 sec.
TODAY	-00:00:20	82 F	62 F	82 F	106 F	1 min.
TODAY	-00:00:30	82 F	62 F	82 F	106 F	10 min.
TODAY	-00:00:40	82 F	62 F	82 F	106 F	30 min.
TODAY	-00:00:50	82 F	62 F	82 F	106 F	1 hr.
TODAY	-00:01:00	82 F	62 F	82 F	106 F	8 hr.
.....					1 day
-1 DAY	-00:00:10	82 F	62 F	82 F	106 F	
-1 DAY	-00:00:20	82 F	62 F	82 F	106 F	
-1 DAY	-00:00:30	82 F	62 F	82 F	106 F	

Auto recognition of sensors

Each Sensors is automatically recognized in software based on it's pre-assigned letter designation A-D

Real-time and historical data

Get real-time and historical data with 2-week peak capture. Communicate via SNMP, APIs or browse to the PDU web server.

Historical Log

Analyze data based on a user defined time scale. Select scale and easily scroll through weeks of information to find the time of a particular event.

Smart, small and flexible

Easily placed in rack using included magnetic mounting or velcro strap. Daisy chain multiple sensors as needed with supplied RJ12 patch cables. Add sensors later if required. Compare two sensors for a delta-t temperature measurement.



Monitoring Accuracy:
0.2C temperature, 2% Rh accuracy.

Sensor Array:
Daisy chain up to 4 sensors.

Power Saving:
Battery-less sensors, very low power over supplied cable.

Communication:
Internal rPDU and sensor data is communicated through the rPDU network interface.

Sensor Application:
Only 1.4" x 1.4" in size, easily attach to rack environment with supplied strap or integrated magnets.

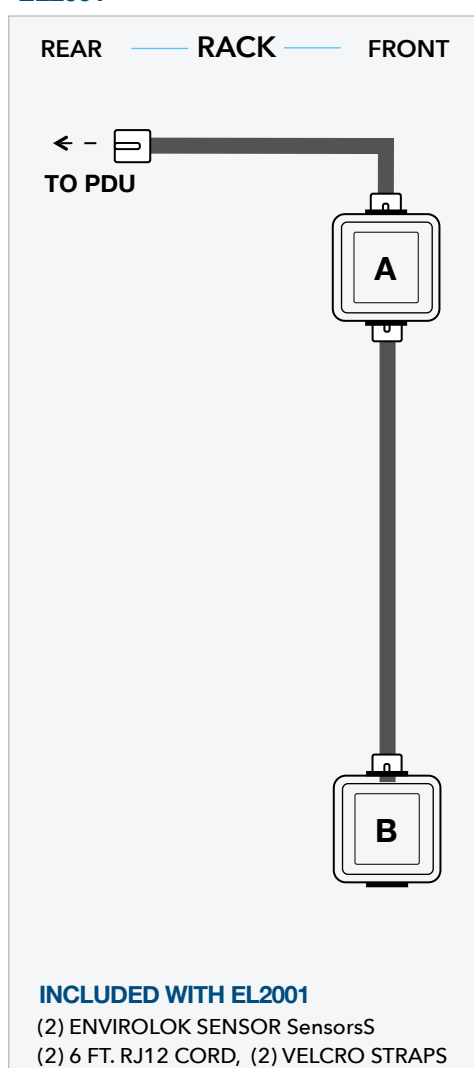
Models

EnviroLok Model	Description	Sensor Quantity	Sensor Identifier
EL1001	ENVIROLOK DAISY CHAIN TEMPERATURE + HUMIDITY PDU SENSOR (1) Sensor A, (1) 6 FT RJ12 CORDS	2	A, B
EL2001	ENVIROLOK DAISY CHAIN TEMPERATURE + HUMIDITY PDU SENSOR (2) Sensors A-B, (2) 6 FT RJ12 CORDS	2	A, B
EL3001	ENVIROLOK DAISY CHAIN TEMPERATURE + HUMIDITY PDU SENSOR (3) Sensors A-C, (3) 6 FT RJ12 CORDS	3	A, B, C
EL4001	ENVIROLOK DAISY CHAIN TEMPERATURE + HUMIDITY PDU SENSOR (4) Sensors A-D, (4) 6 FT RJ12 CORDS	4	A, B, C, D
EL-C01	ENVIROLOK DAISY CHAIN TEMPERATURE + HUMIDITY PDU SENSOR Sensors C, (1) 6 FT RJ12 CORD	1	C
EL-D01	ENVIROLOK DAISY CHAIN TEMPERATURE + HUMIDITY PDU SENSOR Sensors D, (1) 6 FT RJ12 CORD	1	D
EL-P09	ENVIROLOK 9 FT RJ12 CORD	N/A	N/A

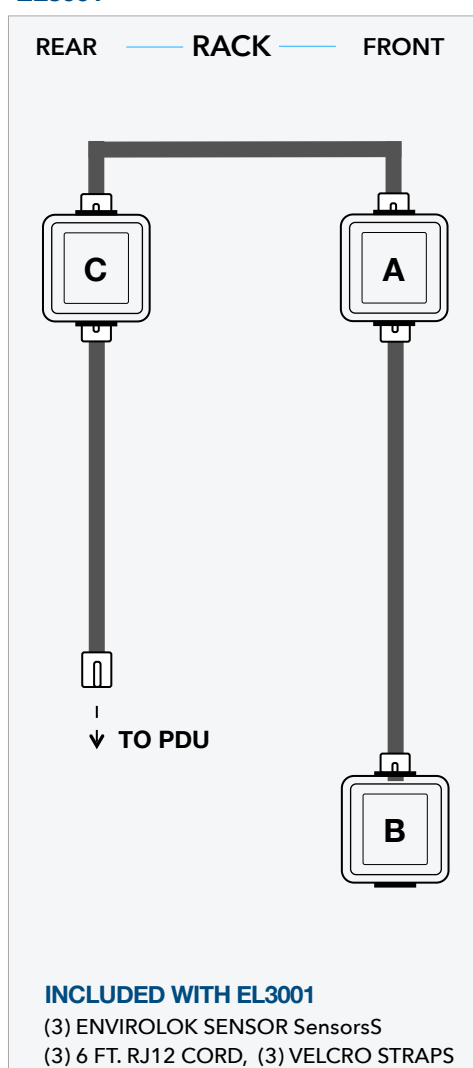
RJ12 6P6C patch cables and velcro strap included with each ENVIROLOK Sensors.

Placing Sensors

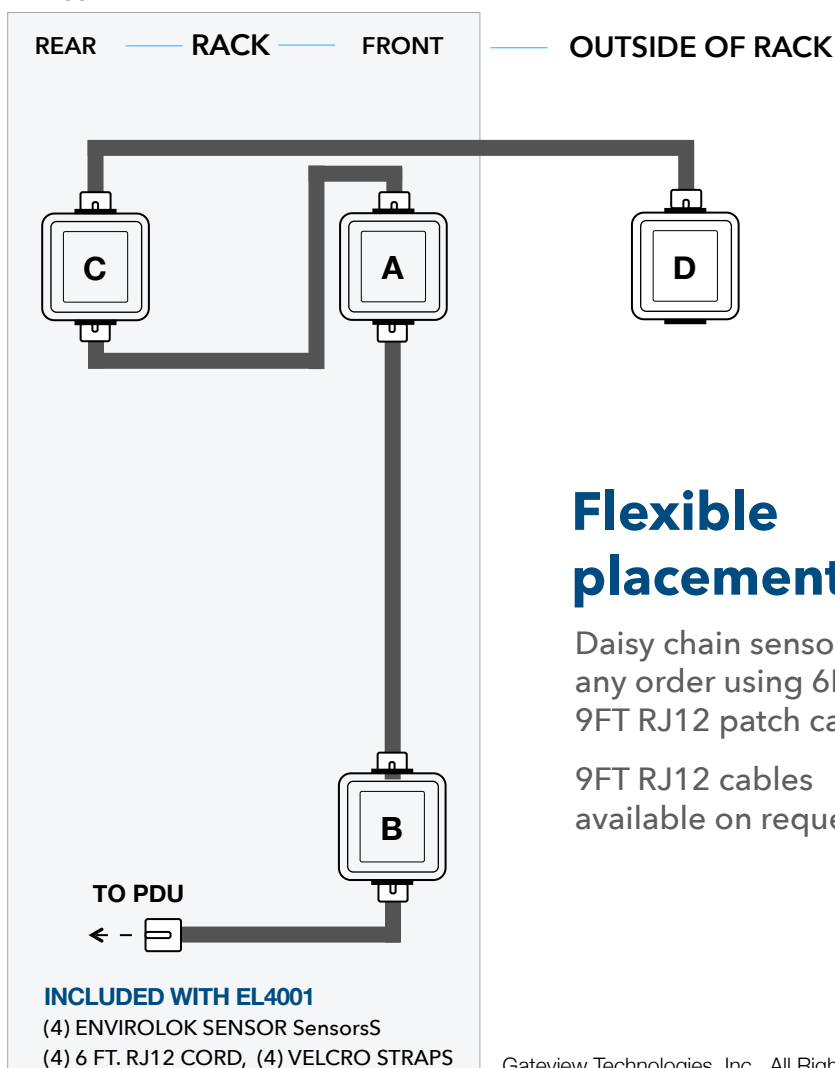
EL2001



EL3001



EL4001



Flexible placement

Daisy chain sensors in any order using 6FT or 9FT RJ12 patch cables.

9FT RJ12 cables available on request.